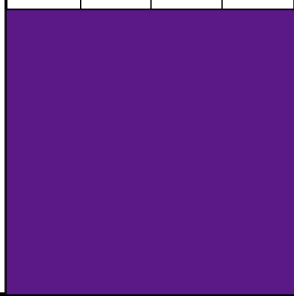
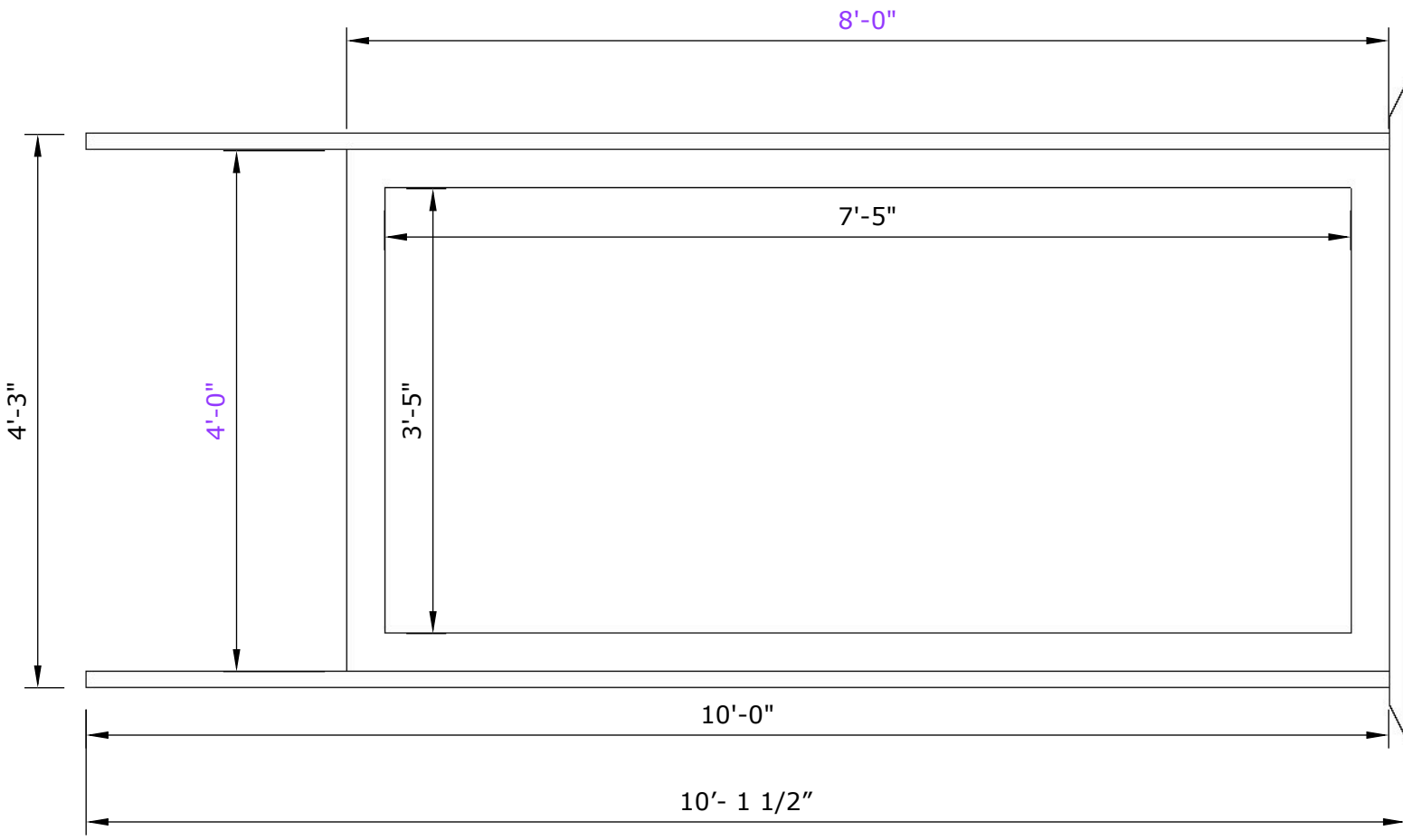


**TRELLIS PHOTO OP ENTRANCE**

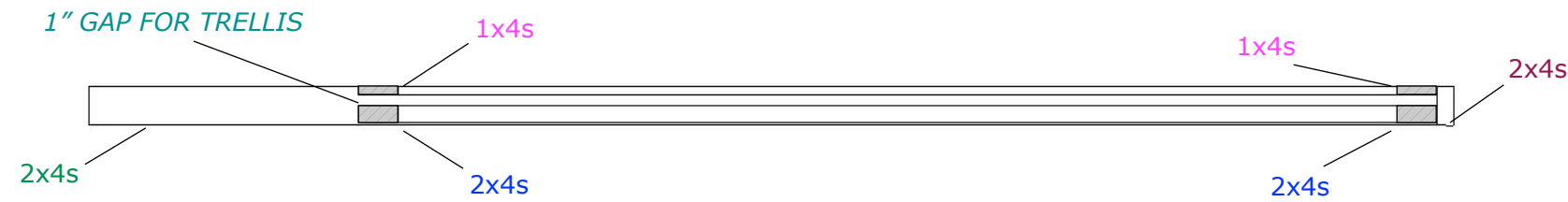
<b>FAW TRELLIS ENTRANCE</b>	TITLE PAGE	LOCATION TBD	DATE: 11.22.22	Supervised by BRAD TUCKER Designed by GAGE PACETTI



# LARGE TRELLIS

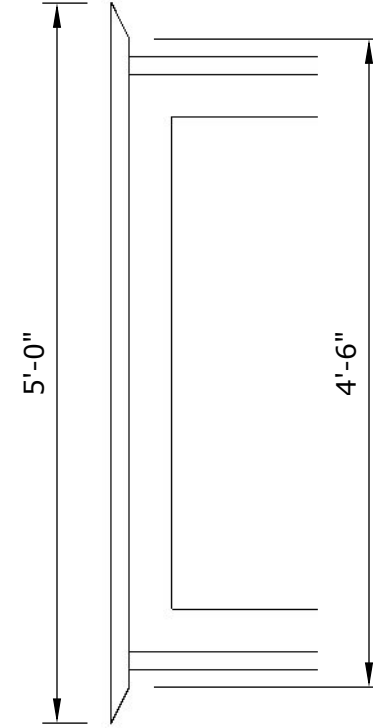


**B**  
1  
FRONT VIEW  
SCALE: 3/4" = 1'

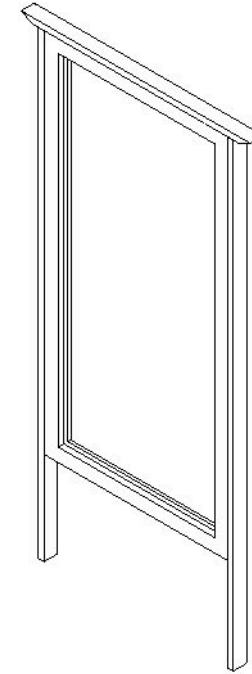


**A**  
1  
SIDE VIEW (Section)  
SCALE: 3/4" = 1'

NOTE:  
2x4s = 1 1/2" x 3 1/2"  
1x4s = 3/4" x 3 1/2"



**C**  
1  
TRELLIS TOP DETAIL  
SCALE: 3/4" = 1'

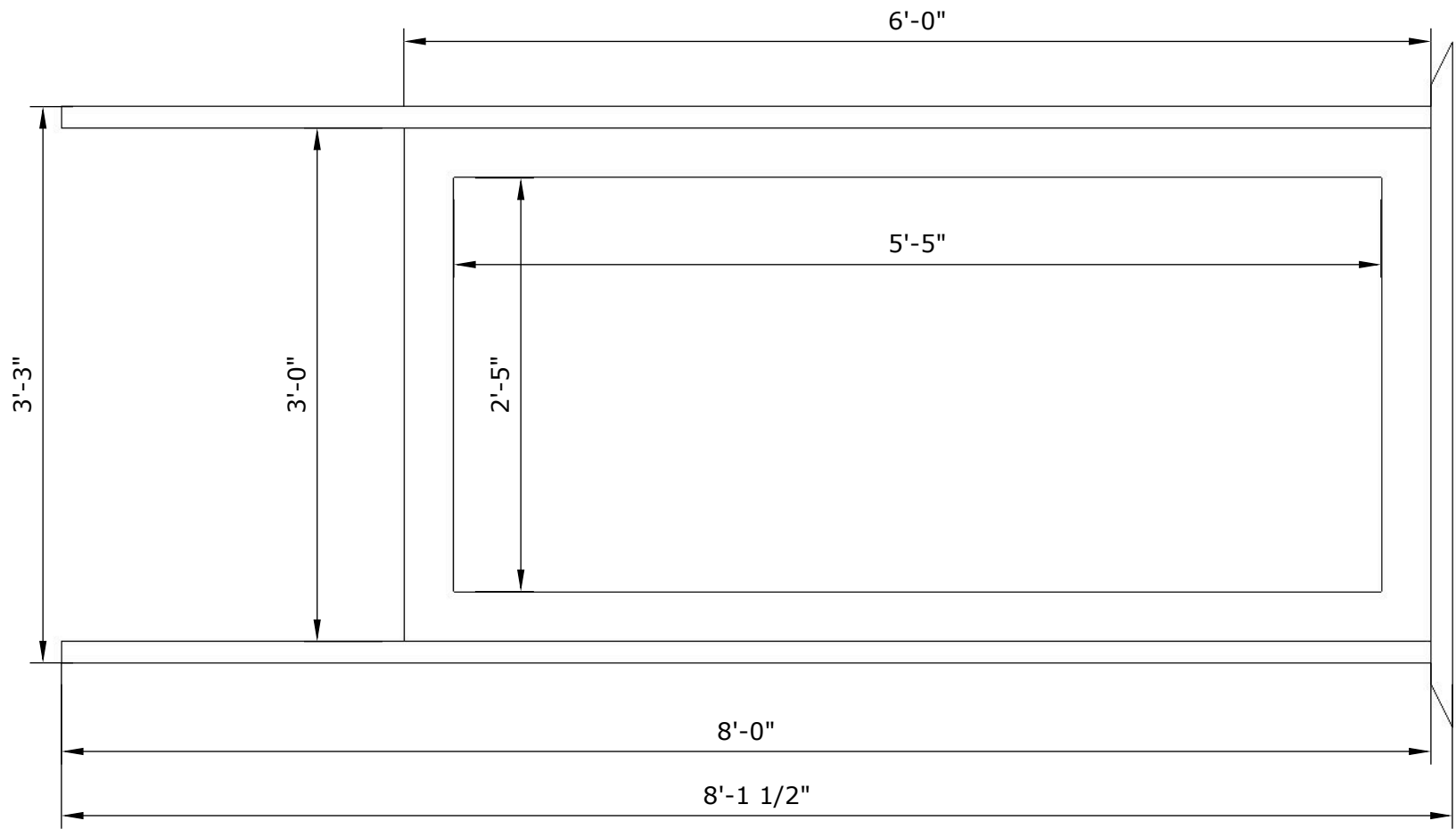
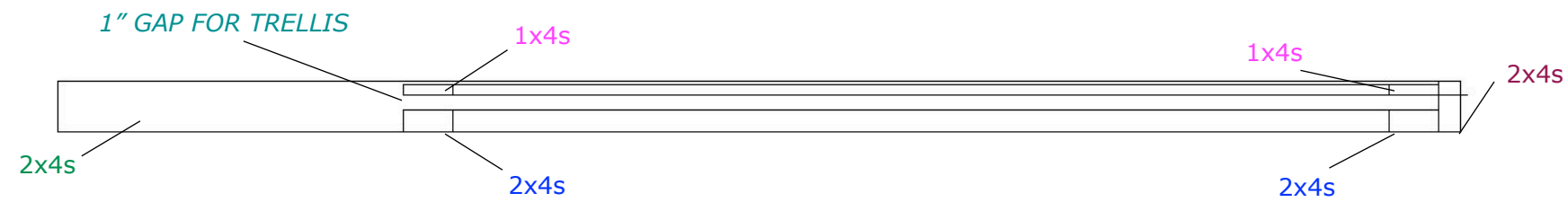


AMOUNT NEEDED: 1

LARGE TRELLIS	LOCATION TBD
SCALE: 3/4" = 1'	DATE: 11.22.22
Designed by GAGE PACETTI	Supervised by BRAD TUCKER

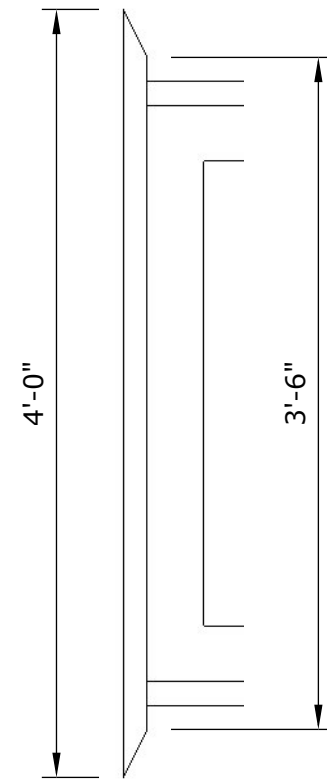
# MED TRELLIS

NOTE:  
 2x4s = 1 1/2" x 3 1/2"  
 1x4s = 3/4" x 3 1/2"



**B** FRONT VIEW  
 SCALE: 1" = 1'

**A** TRELLIS TOP DETAIL  
 SCALE: 1" = 1'



**C** TRELLIS TOP DETAIL  
 SCALE: 1" = 1'

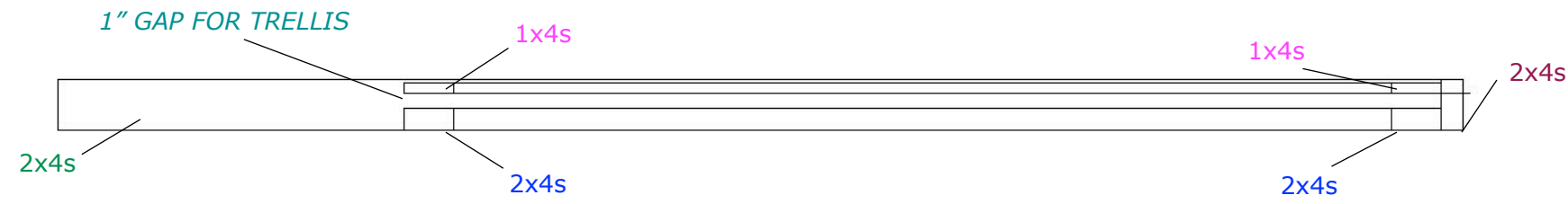
AMOUNT NEEDED: 3

## FAW TRELLIS ENTRANCE

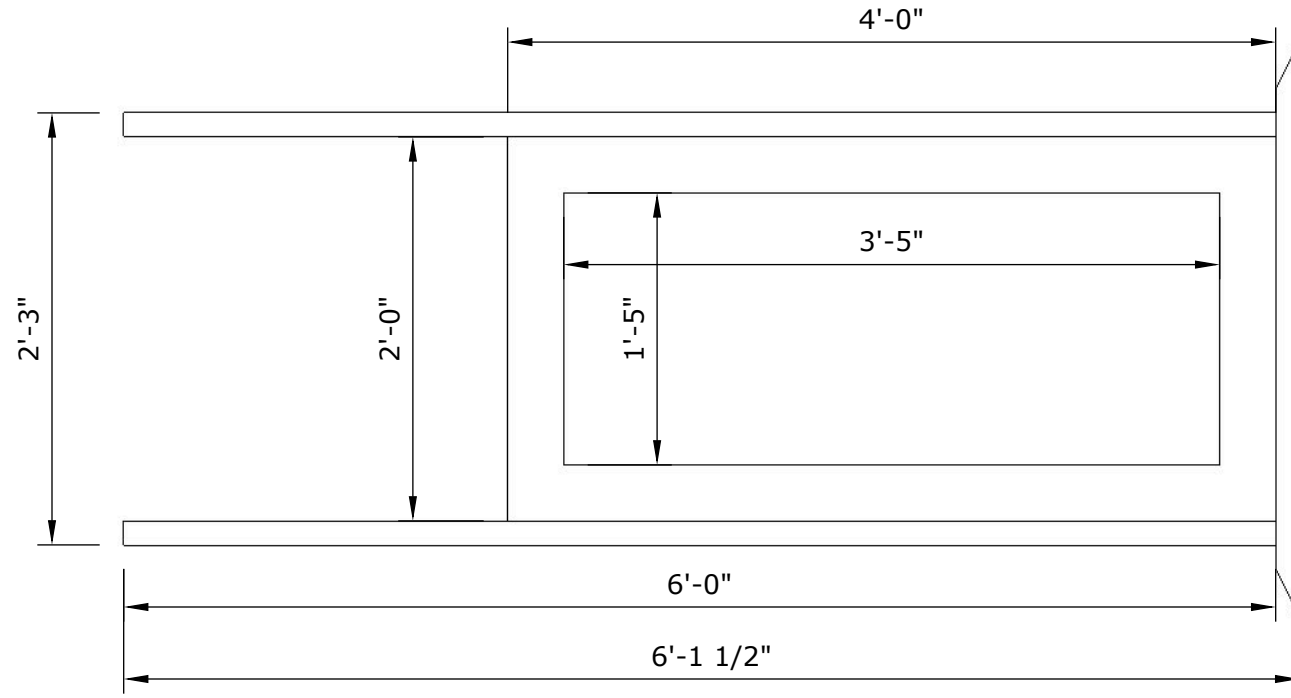
SMALL TRELLIS	LOCATION TBD
SCALE: 1" = 1'	DATE: 11.22.22
Designed by GAGE PACETTI	Supervised by BRAD TUCKER



# SMALL TRELLIS



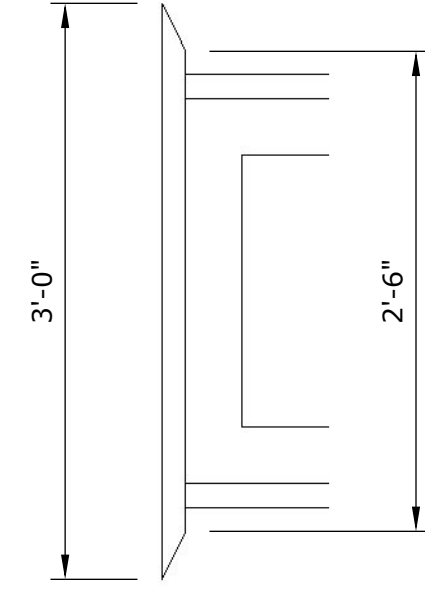
NOTE:  
 2x4s = 1 1/2" x 3 1/2"  
 1x4s = 3/4" x 3 1/2"



**B** / **3**  
 FRONT VIEW  
 SCALE: 1" = 1'

**A** / **3**  
 TRELLIS TOP DETAIL  
 SCALE: 1" = 1'

AMOUNT NEEDED: 2

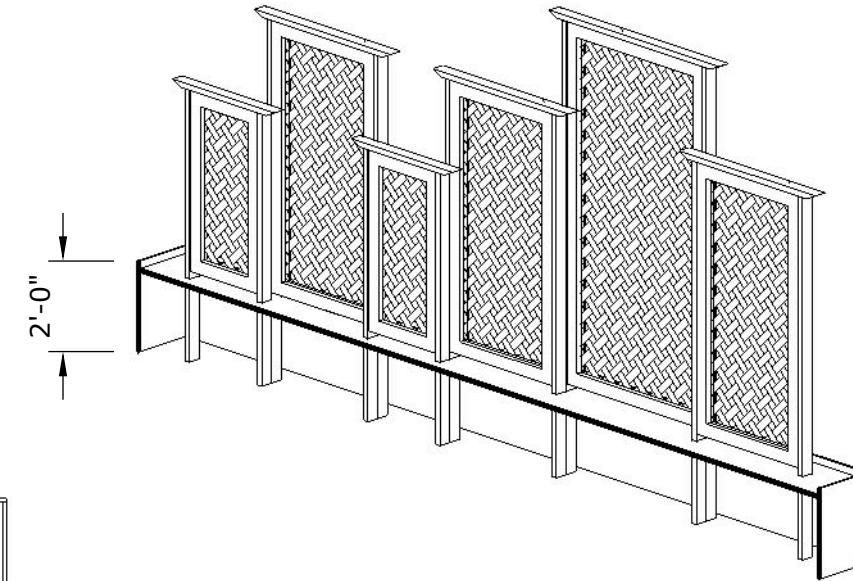
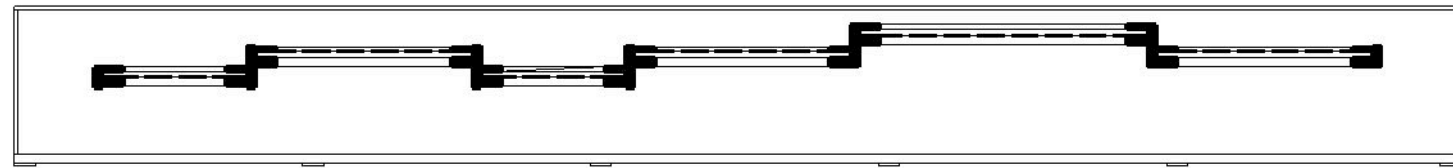


**C** / **3**  
 TRELLIS TOP DETAIL  
 SCALE: 1" = 1'

## FAW TRELLIS ENTRANCE

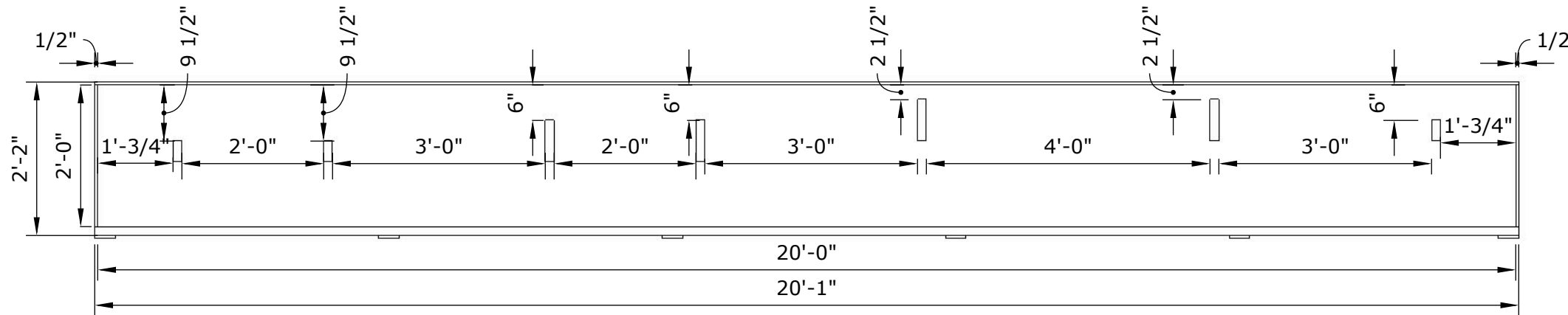
SMALL TRELLIS	LOCATION TBD
SCALE: 1" = 1'	DATE: 11.22.22
Designed by GAGE PACETTI	Supervised by BRAD TUCKER





**A**  
4 ISO  
NOT TO SCALE

**B**  
4 SECTION PLAN  
SCALE: 3/8" = 1'



**C**  
4 GROUND PLAN  
SCALE: 1/2" = 1'

**FAW TRELLIS ENTRANCE**

SMALL TRELLIS	LOCATION TBD
SCALE: 3/8" = 1'	DATE: 11.22.22
Designed by GAGE PACETTI	Supervised by BRAD TUCKER